

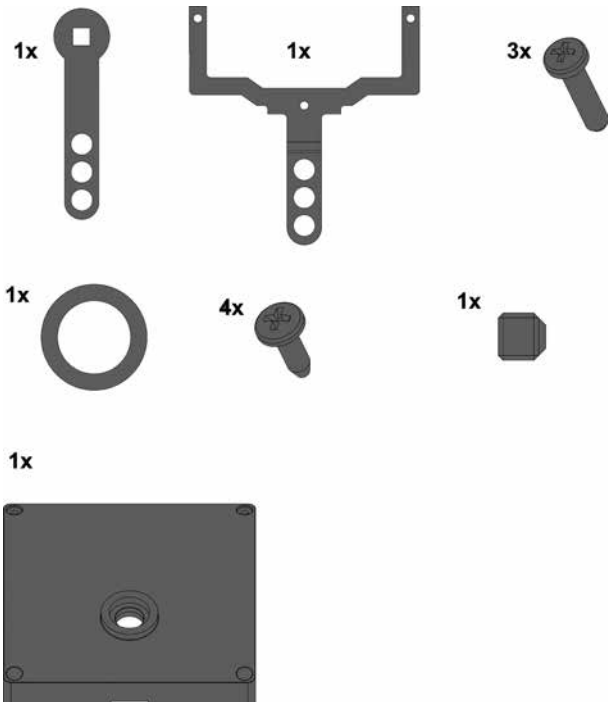


EN Operating instructions.pages 1 to 2
Original

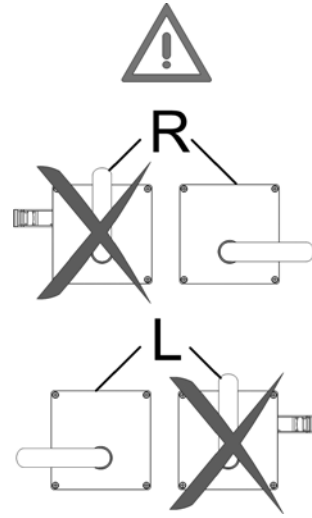
Purpose

On accessible protective equipment, the lockout tag prevents persons from being inadvertently being trapped.
When accessing the hazardous area, the operating or service staff fixes a padlock to the lockout tag.
1 up to 3 padlocks with a maximum shackle diameter of 8 mm can be fixed.

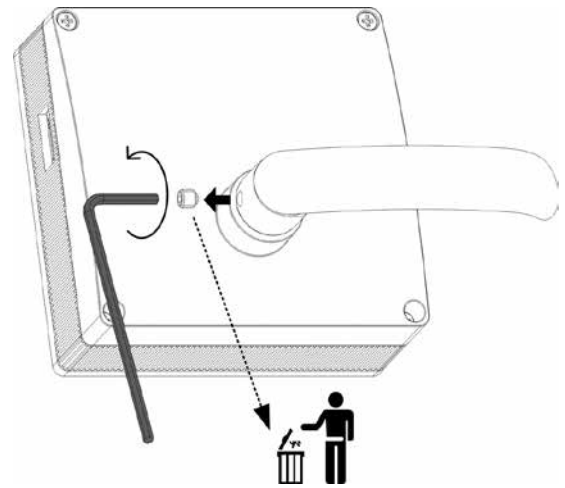
Included in delivery



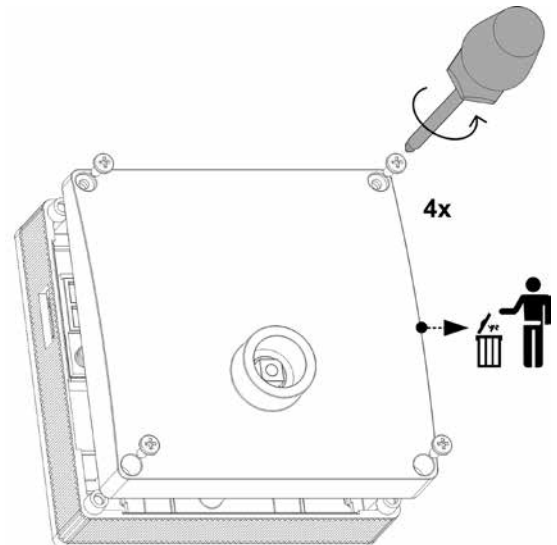
Initial state before retrofitting



Step 1

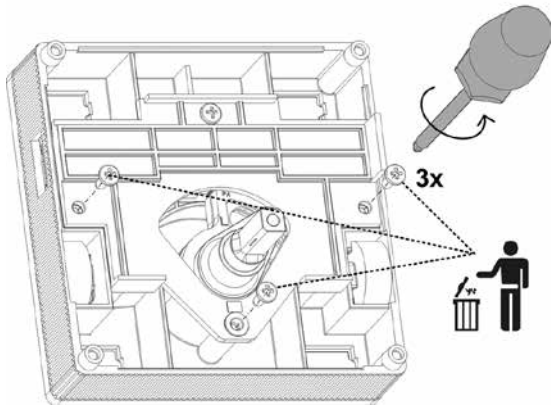


Step 2

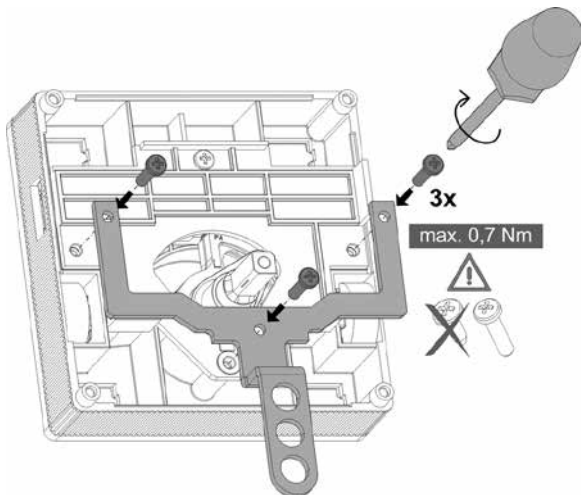


The original actuator label is lost when the old enclosure cover is disposed of. Therefore, it must be archived by the user if needed.

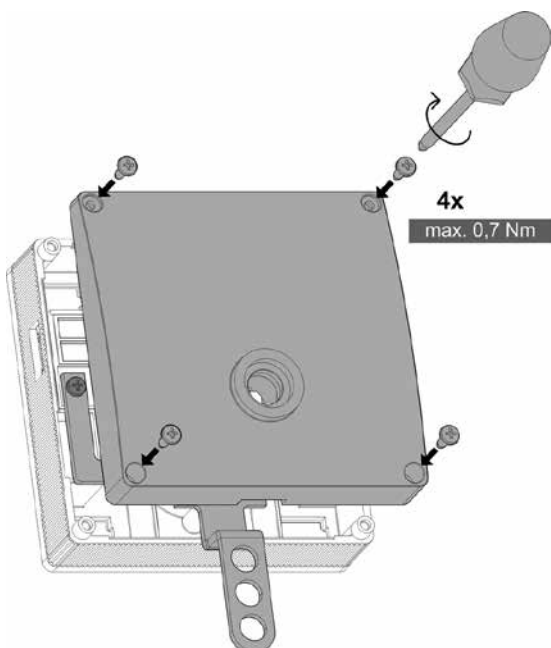
Step 3



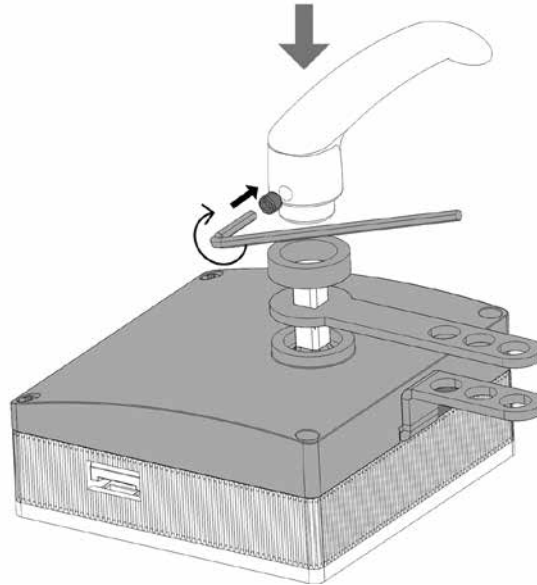
Step 4



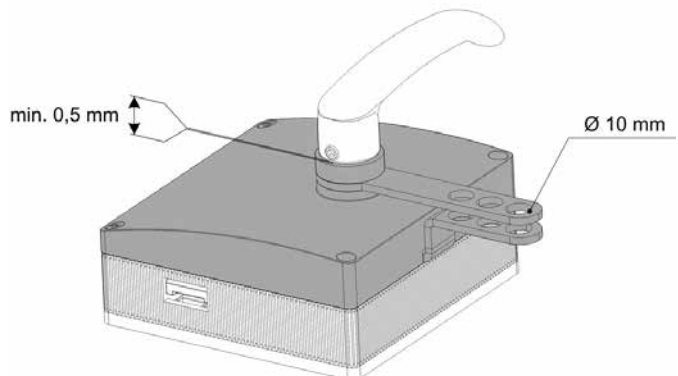
Step 5



Step 6



Step 7



Step 8



Functional testing:

After the retrofitting, the proper closing of the actuator unit must be checked. In particular, the ease of movement in the entire pivoting area of the actuator handle up to the initial position must be checked.

(Also refer to the AZ/AZM 200/201-B30 operating instructions)

K. A. Schmersal GmbH & Co. KG
Mödinghofe 30, D - 42279 Wuppertal
Postfach 24 02 63, D - 42232 Wuppertal

Phone: +49 - (0)2 02 - 64 74 - 0
Telefax: +49 - (0)2 02 - 64 74 - 1 00
E-Mail: info@schmersal.com
Internet: <http://www.schmersal.com>

