

## AS-i 3.0 Gateways, PROFIsafe via PROFINET or PROFIBUS

### 2 / 1 Master, PROFINET / PROFIBUS Slave

- AS-i Safety input slaves report via PROFIsafe
- AS-i Safety output slaves switch via PROFIsafe

### 1 Safety Monitor for 2 AS-i networks

- Operation using a single Monitor configuration!  
Monitor processes safety slaves on two AS-i networks  
Coupling between the two networks superfluous



ASSG-2M-PB-RRSS

ASSG-2M-PN-RRSS

### Safe AS-i outputs are supported

- Multiple safe AS-i outputs possible via a single AS-i address

### Applications up to category 4/PLe/SIL 3

### Chip card for storage of configuration data



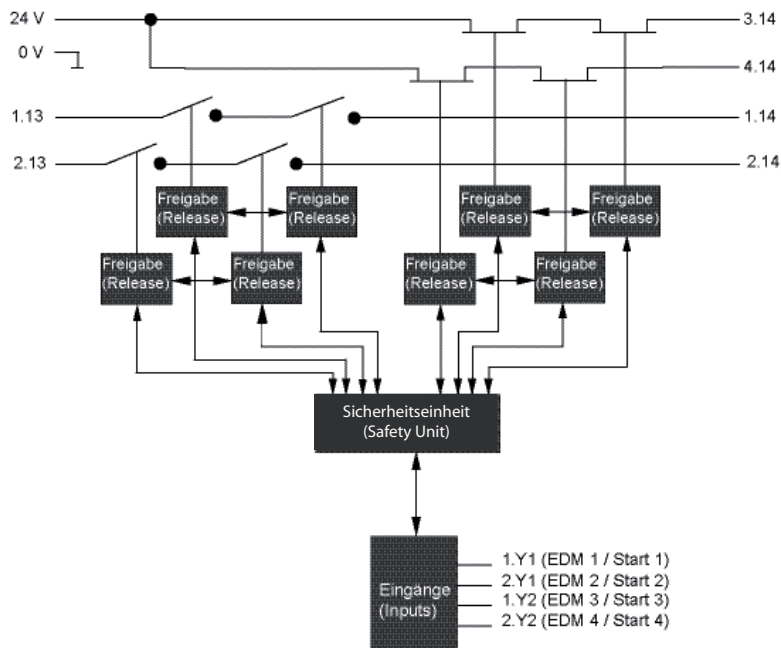
Article no.	ASSG-2M-PB-RRSS / ASSG-2M-PN-RRSS
<b>AS-i</b>	
Cycle time	150 $\mu$ s * (number of slaves + 2)
Operating voltage	AS-i voltage 30V DC
<b>Display</b>	
LCD	indication of slave addresses and error messages in plaintext
LED power	power on
LED config error	configuration error
LED U AS-i	AS-i voltage OK
LED AS-i active	AS-i normal operation active
LED prg enable	automatic addresses programming enabled
LED prj mode	configuration mode active
<b>UL-specifications (UL508)</b>	
External Protection	an isolated source with a secondary open circuit voltage of $\leq 30V_{DC}$ with a 3A maximum over current protection. Over current protection is not required when a Class 2 source is employed.
In general	UL mark does not provide UL certification for any functional safety rating or aspects of the above devices.
Norms	EN 50 295 EN 61 000-6-2 EN 61 000-6-4 EN 954-1:2005, SIL3 EN 62 061:2005, SIL 3 EN 61 508:2006, SIL 3 EN ISO 13 849-1:2008, Performance-Level e EN ISO 13 849-2:2008
<b>Environment</b>	
Ambient operating temperature	0°C ... +55°C
Storage temperature	-25°C ... +85°C
Housing	stainless steel
Protection category IEC 60 529	IP20
Tolerable loading referring to impacts and vibrations	according to EN 61 131-2
Voltage of insulation	$\geq 500$
Weight	800 g

Article no.	ASSG-2M-PB-RRSS	ASSG-2M-PN-RRSS
<b>Interface</b>		
<b>PROFIBUS</b>		
Baud rates	9,6 kBaud up to 12 000 kBaud, automatic recognition	–
DP functions	imaging of the AS-i slaves as I/O data of the PROFIBUS complete diagnosis and configuration via the PROFIBUS DP	–
<b>PROFINET</b>		
PROFINET interface	–	RJ-45
Conformance Class	–	B
Baud rates	–	10/100MBaud
<b>Safety monitor</b>		
Release circuits	4	
Start delay	< 10 s	
Inputs: 4 x EDM/Start	EDM: inputs to monitor external devices Start: Start inputs switching current statical 4mA at 24V, dynamic 30mA at 24V (T=100 ms)	
Outputs: 4 x output switching elements	relay outputs (output circuits 1 and 2) max. contact load: 3A AC-15 at 30V, 3A DC-13 at 30V	
	semiconductor outputs (output circuits 2 and 3) max. contact load: 0,5A DC-13 at 30V	
<b>Display</b>		
LED PROFINET	–	PROFINET master recognized
LED PROFIBUS	PROFIBUS master recognized	–
LED AUX	auxiliary power	
4 x LED EDM/Start	state of inputs: LED off: open LED on: close	
4 x LED Ausgangskreis	state of output circuits: LED off: open LED on: close	
<b>Environment</b>		
Dimensions (W / H / D in mm)	100 / 120 / 106	100 / 120 / 96

Article no.	Diagnostics interface	AS-i Safety outputs are supported	Number of AS-i circuits Safety Monitor	Number of release circuits in device	Configuration blocks	Number of AS-i Masters
ASSG-2M-PB-RRSS	Ethernet, RJ-45	yes	2	4 release circuits SIL 3, cat. 4 in device; 2 x relays, 2 x fast electronic safe outputs	PROFIsafe (F-CPU) + ASIMON 256 Devices	2 AS-i Masters with integrated power supply decoupling
ASSG-2M-PN-RRSS	RS 232	yes	2	4 release circuits SIL 3, cat. 4 in device; 2 x relays, 2 x fast electronic safe outputs	PROFIsafe (F-CPU) + ASIMON 256 Devices	2 AS-i Masters with integrated power supply decoupling

Article no.	Operating current		
	Master power supply, ca. 300mA out of AS-i circuits	Master power supply, max. 300mA out of AS-i circuit 1 (approx. 70mA ... 300mA), max. 300mA out of AS-i circuit 2 (approx. 70mA ... 300mA); in sum max. 370mA	Version „1 gateway, 1 power supply, for 2 AS-i networks“, approx. 300mA (PELV voltage)
ASSG-2M-PB-RRSS	–	–	•
ASSG-2M-PN-RRSS	–	–	•

**Safety Monitor block diagram ASSG-2M-PB-RRSS, ASSG-2M-PN-RRSS:**



**Connections: Gateway + Safety Monitor:**

**ASSG-2M-PB-RRSS, ASSG-2M-PN-RRSS**

