


Cost efficient solution in IP20



(Figure similar)

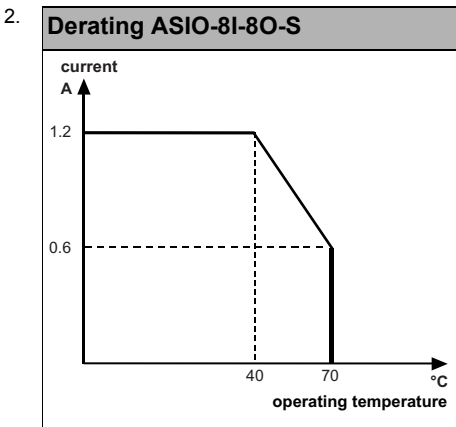
Figure	Type	Housing	Inputs digital	Outputs digital	Input voltage (sensor supply) ¹	Output voltage (actuator supply) ²	AS-i connection ³	AS-i address ⁴	Article No.
	IP20, 22,5mm x 114mm, 6 x COMBICON	6 x COMBICON	8	8 x electronic	out of AUX	out of AUX	clamps	2 Single Slaves	ASIO-8I-80-S

- Input voltage (sensor supply):** inputs are supplied by AS-i or by AUX (auxiliary 24 V power). If supplied by AS-i, inputs shall not be connected to earth or to external potential.
- Output voltage (actuator supply):** outputs are supplied by AS-i or by AUX (auxiliary 24 V power). If supplied by AS-i, outputs shall not be connected to earth or to external potential.
- AS-i connection:** the connection to AS-i as well to AUX (auxiliary 24 V power) is either made via yellow resp. black AS-i profile cable with piercing technology or via M12 socket (in IP20 via clamps).
- AS-i address:** AB Slave (max. 62 AB Slaves/AS-i network), 2 AB Slaves (max. 31 modules with 2 AB Slaves), Single Slaves (max. 31 Single Slaves/AS-i network), mixed use allowed (upon request, slaves are available with specific AS- Slave profiles).

Article no.	ASIO-8I-80-S
Connection	
AS-i connection	COMBICON plug
Periphery connection	COMBICON plug
Length of connector cable	unlimited ¹
AS-i	
Profile	Slave 1: S-7.0.E, ID1=F (default) Slave 2: S-7.0.E, ID1=E (default)
AS-i address	2 single slaves
Operating voltage	18 ... 31.6 V
Required Master profile	≥ M0
Since AS-i specification	2.0
Max. current consumption	60 mA
AUX	
Voltage	18 ... 30 V
Max. current consumption	8 A
Input	
Number	8
Power supply	out of AUX
Power supply of attached sensors	max. 1,2A permanent operation ²
Switching threshold	U<5V (low) U>15V (high)
Output	
Number	8 x electronic
Power supply	out of AUX
Max. output current	1 A (∑ O1 ... O4 = max. 3 A; ∑ O5 ... O8 = max. 3 A) ³

Article no.	ASIO-8I-8O-S
Display	
LED ASI/FLT 1 (red/green)	green: slave online red: slave offline yellow/red flashing: address 0 red/green flashing: peripheral fault ⁴
LED ASI/FLT 2 (red/green)	green: slave online red: slave offline yellow/red flashing: address 0 red/green flashing: peripheral fault ⁴ red flashing: slave 2 is switched off, because slave 1 is offline
LEDs I1 ... I8 (yellow)	State of inputs I1 ... I8
LEDs O1 ... O8 (yellow)	state of outputs O1 ... O8
LED AUX (green)	on: 24 V _{DC} AUX off: no 24 V _{DC} AUX
Environment	
Applied standards	EN 61000-6-2 EN 61000-6-3
Ambient temperature	-25 °C ... +70 °C
Storage temperature	-25 °C ... +85 °C
Housing	plastic, din-rail mounting
Protection category (EN 60529)	IP20
Voltage of insulation	≥ 500 V
Dimensions (W / H / D in mm)	22,5 / 99 / 114

1. loop resistance ≤ 150 Ω.

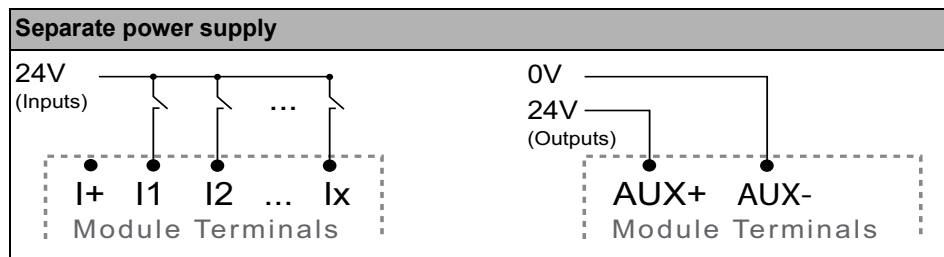
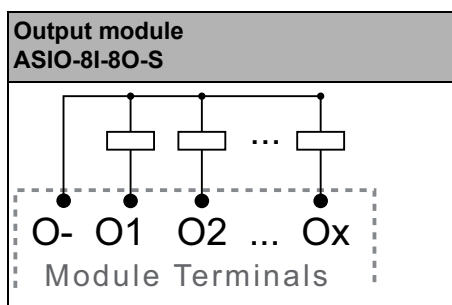
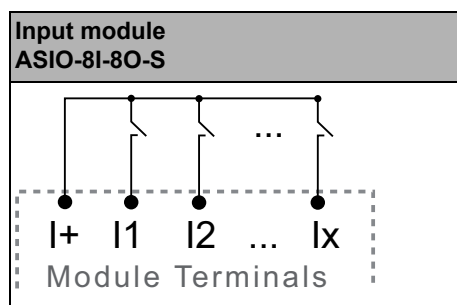


3. at operating temperature >60°C: Σ 1A max.

4. see table „Peripheral fault indication“

Article no.	Peripheral fault indication		
	Overload sensor supply	Output short circuit ed	AUX voltage missing
ASIO-8I-8O-S	•	-	•

connections		
ASIO-8I-8O-S		
	ASI+, ASI-	AS-i connection
	AUX+, AUX-	External power supply
	I+, I-	Sensor supply
	O-	GND for outputs
	I1 ... I8	Inputs
	O1 ... O8	Outputs



Programming	Bit setting			
	D0	D1	D2	D3
	Input			
ASIO-8I-8O-S	Slave 1: I1	Slave 1: I2	Slave 1: I3	Slave 1: I4
	Slave 2: I5	Slave 2: I6	Slave 2: I7	Slave 2: I8
	Output			
ASIO-8I-8O-S	Slave 1: O1	Slave 1: O2	Slave 1: O3	Slave 1: O4
	Slave 2: O5	Slave 2: O6	Slave 2: O7	Slave 2: O8
	Parameter bit			
	P0	P1	P2	P3
ASIO-8I-8O-S	not used, watchdog always on	0= on / 1= off (data input filter 128 µs)	not used	not used