



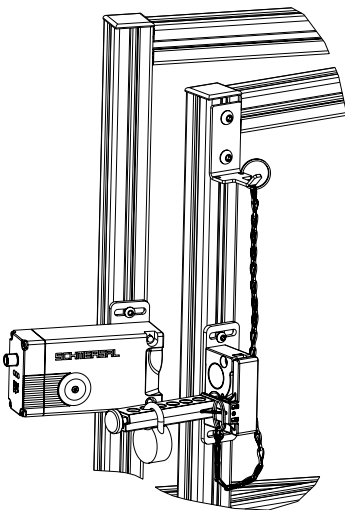
EN Operating instructions. page 1
Original

Purpose

On accessible protective equipment, the lockout tag prevents persons from being inadvertently being trapped. When accessing the hazardous area, the operating or service staff fixes a padlock to the lockout tag.

Application

There are two pins on the lockout tag that are inserted in the recesses of the actuator's securing holes when the guard system is open. By pushing in the locking bar as far as stop, the actuator opening is blocked and the holes of the locking bar and lockout tag housing overlap so that 1 to 6 locks (bar diameter max. 6 mm) can now be engaged. In this way, the door of the guard system cannot be closed and accidental start of the machine is prevented.

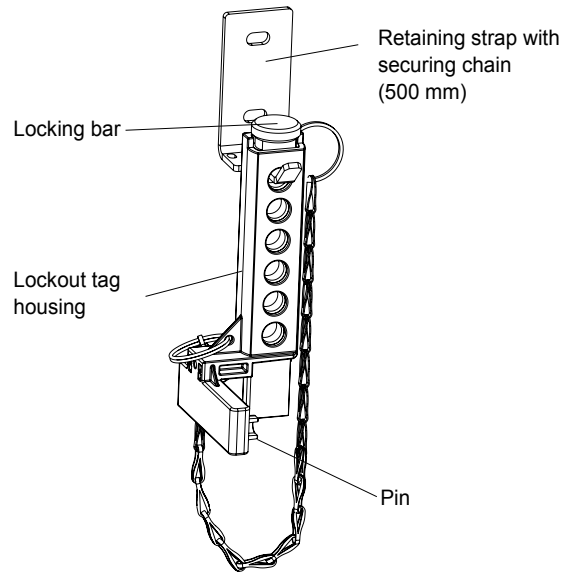


To facilitate correct assembly of the lockout tag, screws with a low head (e.g. in accordance with DIN 7984) or mounting set MS-AZM400 (available as an accessory) are to be used for securing the actuator.

K. A. Schmersal GmbH & Co. KG
Mödinghofe 30, D - 42279 Wuppertal
Postfach 24 02 63, D - 42232 Wuppertal

Phone: +49 - (0)2 02 - 64 74 - 0
Telefax: +49 - (0)2 02 - 64 74 - 1 00
E-Mail: info@schmersal.com
Internet: http://www.schmersal.com

Included in delivery

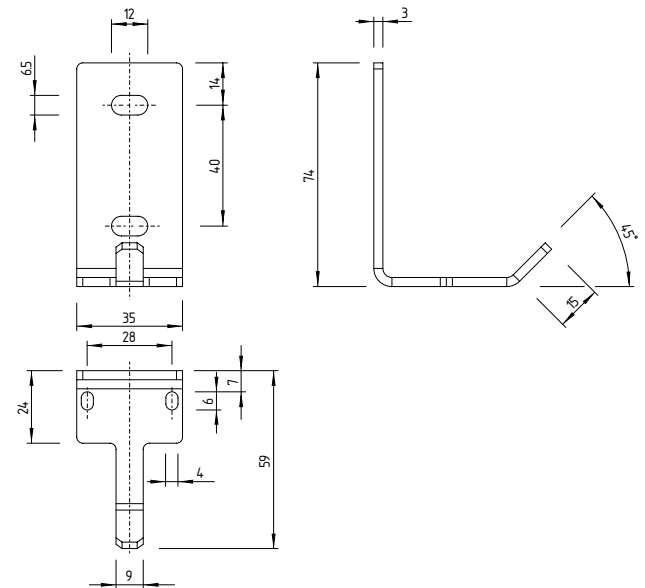


(The padlocks are not included in the delivery.)

Dimensions

All measurements in mm.

Retaining strap



Lockout tag

