



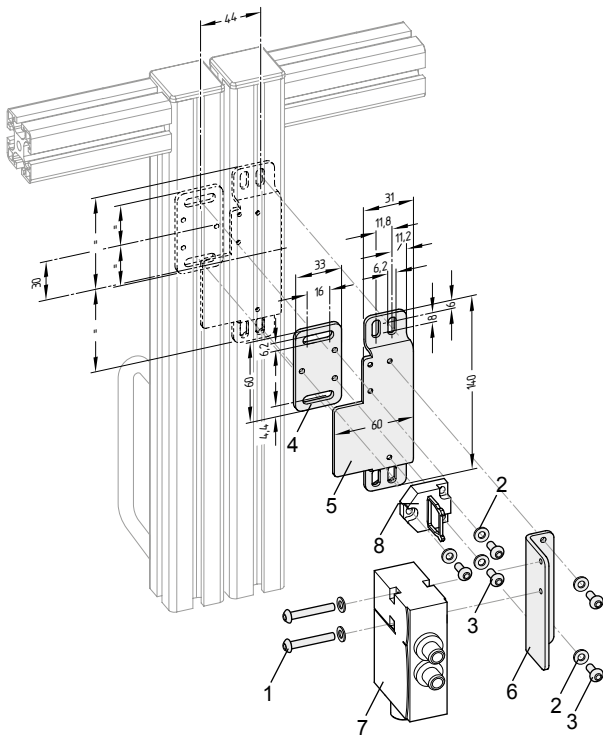
EN Operating instructions. . . . . page 1  
Original

**Appropriate use**

The mounting sets can only be used in conjunction with actuator AZM 170-B6.

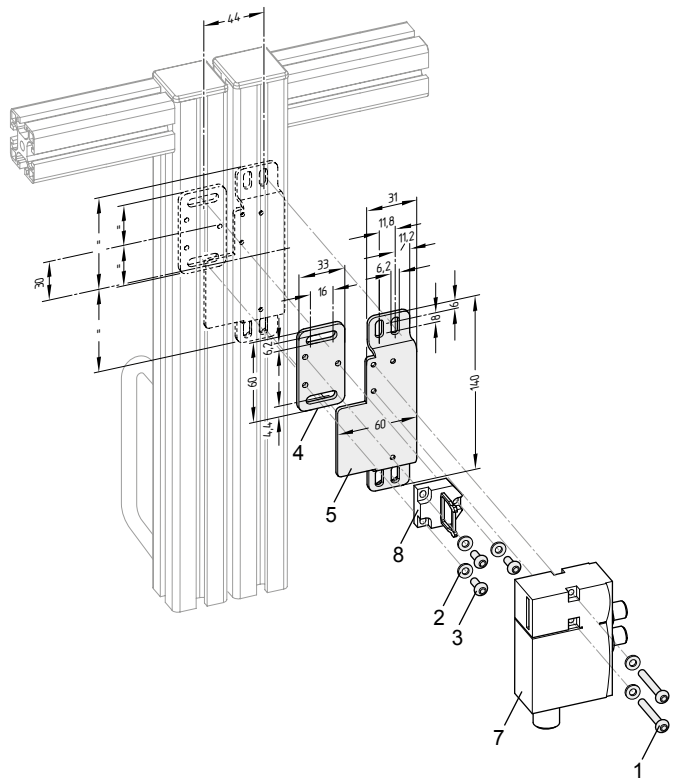
**MS AZM 170 R/P**

Mounting right-angled to safety guard



**MS AZM 170 P**

Mounting parallel to safety guard



**Key**

- 1 Roundhead screw M4 x 30 to ISO 7380
- 2 Washer to DIN 433-4,3
- 3 Roundhead screw M4 x 10 to ISO 7380
- 4 Mounting plate AZ 17/AZM 170
- 5 U-profile AZM 170
- 6 Mounting angle AZM 170

**Not included in delivery**

- 7 Solenoid interlock AZM 170
- 8 Actuator AZM 170-B6



**K. A. Schmersal GmbH & Co. KG**  
Mödinghofe 30, D - 42279 Wuppertal  
Postfach 24 02 63, D - 42232 Wuppertal

Phone: +49 - (0)2 02 - 64 74 - 0  
Telefax: +49 - (0)2 02 - 64 74 - 1 00  
E-Mail: info@schmersal.com  
Internet: http://www.schmersal.com